

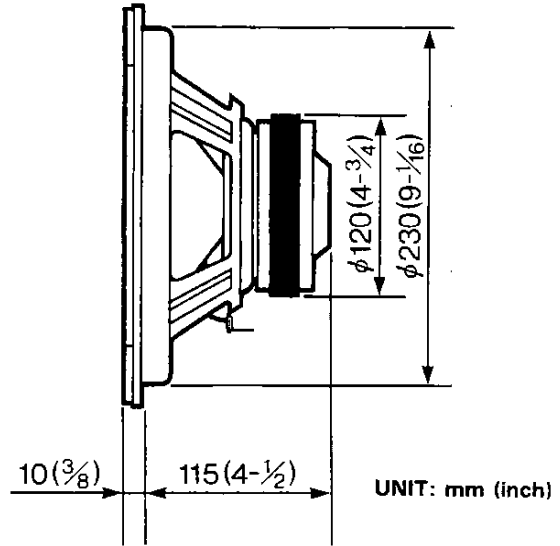
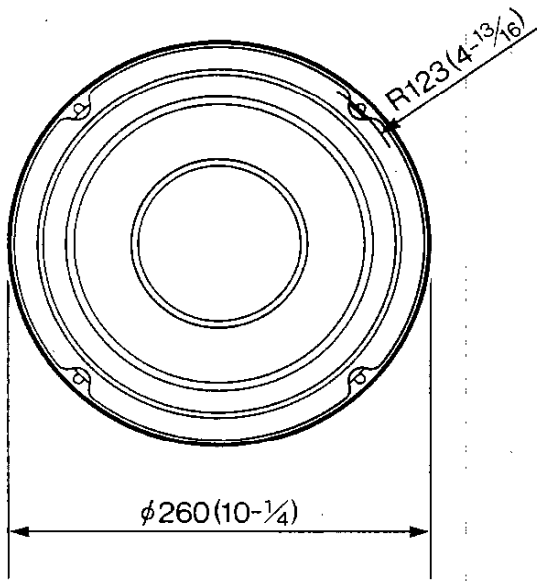
# KFC-W210

## SERVICE MANUAL

# KENWOOD

©1990-8 PRINTED IN JAPAN  
B51-6130-10(T) 1057

### EXTERNAL VIEW



### SPECIFICATIONS

Speaker.....25cm (10 in) Cone Type  
 721g (25.4 oz) Magnet  
 Peak Power.....300 Watts  
 Sensitivity.....92 dB/W at 1m  
 Frequency Response.....30Hz~3,000Hz  
 Resonant Frequency (Fo).....45 Hz  
 Impedance.....4 Ohms  
 Weight Per Speaker.....2.8 kg (6.17 lb)/Pc.

(KENWOOD follows a policy of continuous advancements in development. For this reason specifications may be changed without notice.)

### PARTS LIST

★ New parts  
 Parts without **Parts No.** are not supplied.  
 Les articles non mentionnés dans le **Parts No.** ne sont pas fournis.  
 Teile ohne **Parts No.** werden nicht geliefert.

Ref No.	New Parts	Parts No.	Description
	★	N99-1143-08	SCREW SET
	★	T10-0464-08	SPEAKER